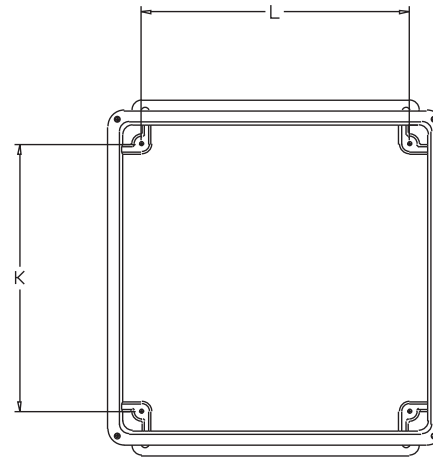
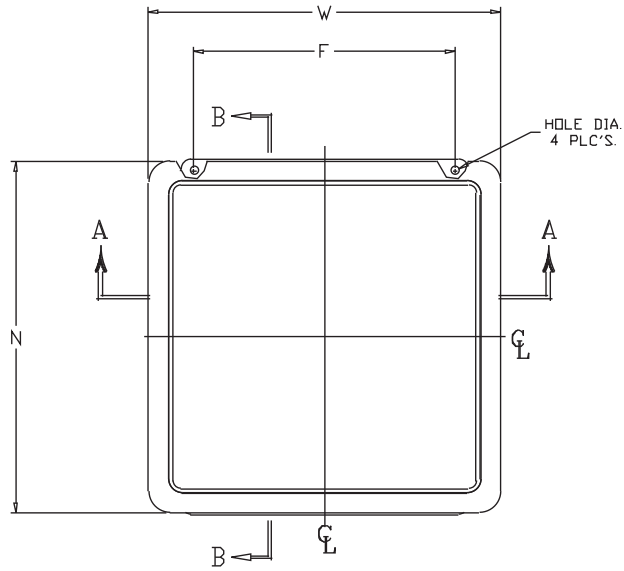
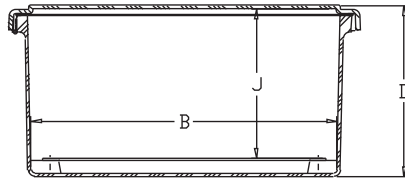


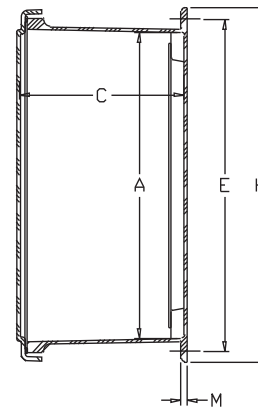
JCC Series Technical Drawings



FRONT VIEW WITHOUT COVER



SECTION A-A



SECTION B-B

JCC Series Clear Cover Enclosures

SIZE ID NUMBER	OVERALL H X W X D	INSIDE A X B X C	MOUNTING E X F	J	K	L	M	N	HOLE DIA.	SHIPPING WEIGHT	PANEL NUMBER
JCC808W JCC808HW JCC808HLL JCC808HPL JCC808FHW JCC808FHLL JCC808FHPL	9.56 x 9.47 x 5.09 (243 x 241 x 129)	7.73 x 7.73 x 4.82 (196 x 196 x 123)	8.75 x 6.00 (222 x 152)	4.24 (108)	6.25 (159)	6.25 (159)	0.25 (6)	9.47 (241)	0.31 (8)	3.80 lbs.	BP88*
JCC1212W JCC1212HW JCC1212HLL JCC1212HPL JCC1212FHW JCC1212FHLL JCC1212FHPL	13.56 x 13.47 x 6.56 (344 x 342 x 167)	11.70 x 11.70 x 6.29 (297 x 297 x 160)	12.75 x 10.00 (324 x 254)	5.71 (145)	10.25 (260)	10.25 (260)	0.25 (6)	13.47 (342)	0.31 (8)	6.80 lbs.	BP1212*

All measures are in inches, items in parentheses are in millimeters.

* Panel ordered separately.